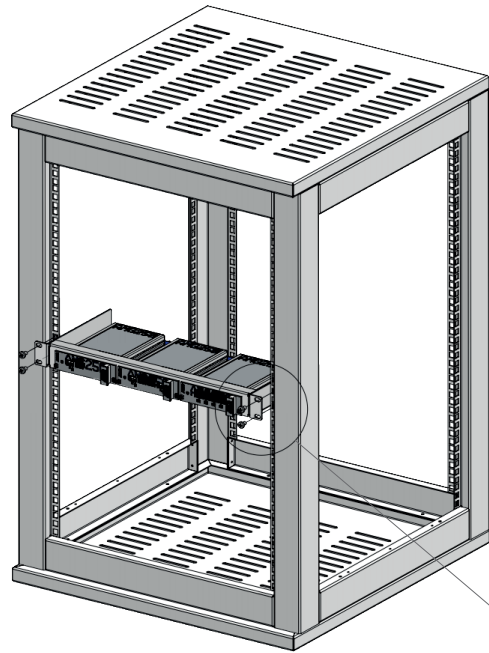
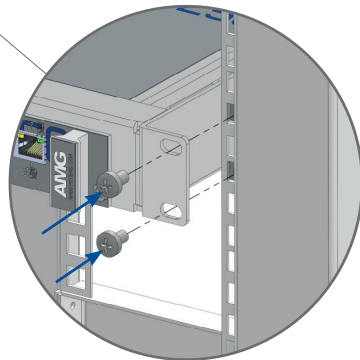


/ 19INCH RACK MOUNT INSTALLATION

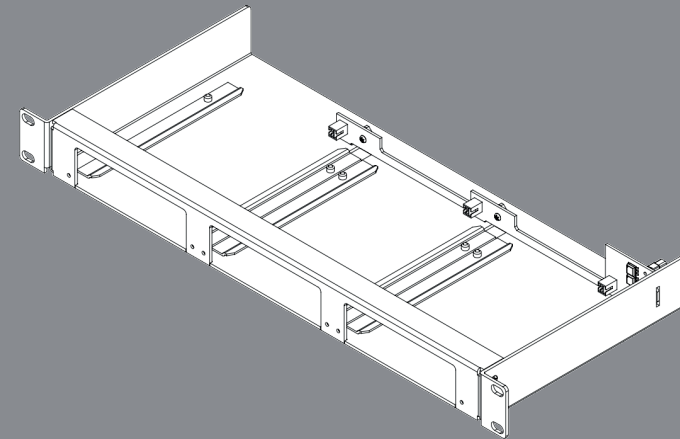


① Secure the unit into the 19inch rack using four cage nuts (not supplied).



To access more information for this product please visit the product page using the QR code opposite or the direct link below:

amg-support.com/AMG2031

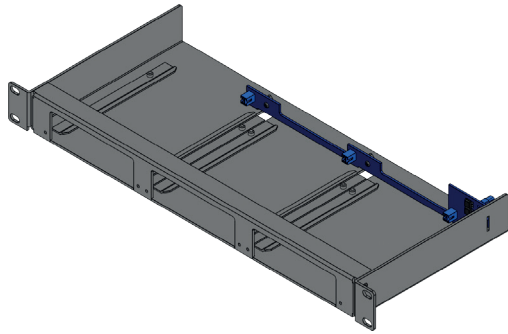


AMG2031

1U 3-Slot Rack

Installation Manual - Hardware

/ AMG2031 INCLUDED ACCESSORIES



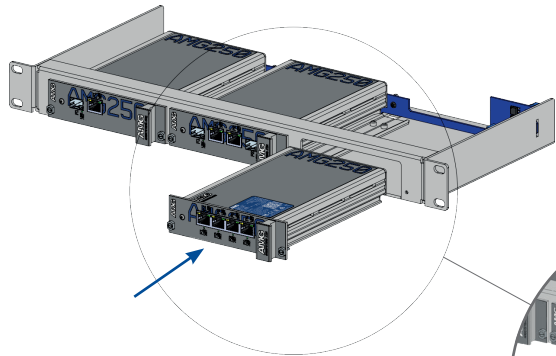
AMG2031 1U Chassis



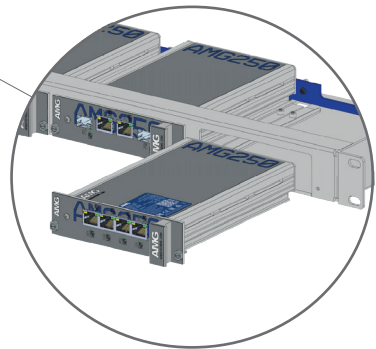
1 x AMG2002 Power Supply & Region Specific Mains Lead*

* 1 Power Supply Is Included. For Dual Redundant Operation A Second Power Supply Should Be Ordered

/ INSTALLING CARDS INTO THE AMG2031 RACK

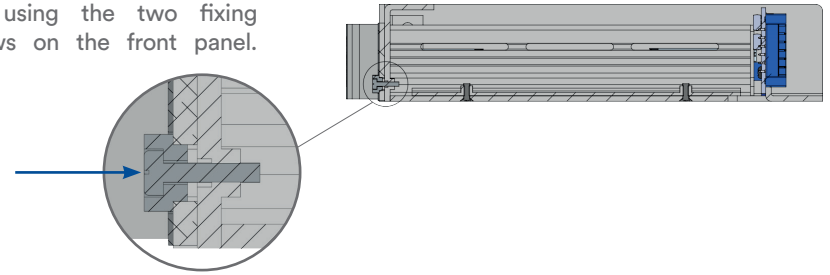


① Slide the card into the desired slot using the metal guides as shown.

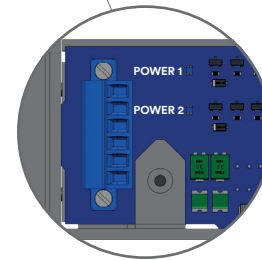


② Ensure the unit connects firmly into the power connector on the rack backplane.

③ Secure the unit into the slot using the two fixing screws on the front panel.

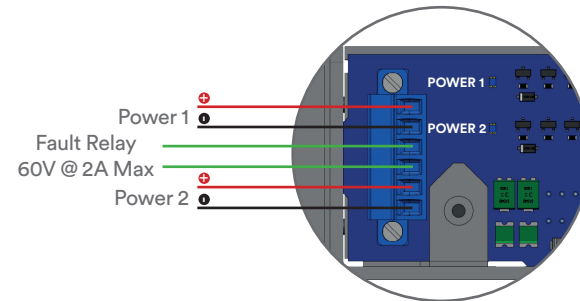


/ LED INDICATORS



LED	Colour	Description
POWER 1	Blue	DC input present on power 1
POWER 2	Blue	DC input present on power 2

/ POWER



Warning
 Do not exceed the rated voltage Refer to voltage table

Card Types	Voltage
AMG250/350	10-36 VDC
AMG5000 Series	12-15 VDC

⚡ Fault relay is normally closed and will open on either power failure.
 ⚡ If used with a single PSU, the PSU should be wired to both power inputs.